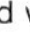


S.T. DUPONT, MASTER GOLDSMITH, LACQUERER AND TRUNK MAKER SINCE 1872

For over 145 years, master goldsmiths, lacquerers and trunk-makers have combined meticulous care and unique expertise to create exclusive, hand-finished, individually numbered objects in France. This heritage and invaluable know-how is the legacy of Simon Tissot-Dupont. Since its creation, S.T. Dupont magnifies the most precious and rare materials, producing luxurious accessories and perpetuates the traditions that epitomize the French way of life.

S.T. DUPONT KNOW-HOW

Today, S.T. Dupont's luxurious accessories continue to call upon the finest materials and the rarest know-how, handed down from generation to generation, with the craftsmen constantly trying to perfect the mastering of their expertise.

To date, S.T. Dupont is the only House that has mastered the ancient technique of natural lacquering. Secreted by the Rhus vernicifera tree, the precious sap is harvested by hand, aged and blended like a fine wine to create a material that is both precious and resistant: natural lacquer. Unrivalled knowledge, handed down between generations of master lacquerers is required to prepare, colour and apply the natural lacquer. All S.T. Dupont lighters using natural lacquer are engraved with a stylised leaf  from the lacquer tree to identify and underline the exceptional character of this substance.

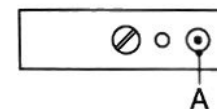
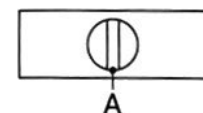
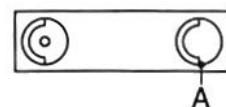
Metalwork, using precious or rare metals, is carried out by experts capable of producing effects such as guilloche-work, chasing, engraving, hand-polishing and plating. This succession of manufacturing stages, combining technology and precision, transforms simple brass into an array of different designs, their finesse and striking finish ensuring their status as luxury accessories.

THE ART OF FIRE BY S.T. DUPONT

The S.T. Dupont lighter: technical and functional, yet also a genuine symbol of elegance with its refined lines, noble materials, and its balanced and reassuring weight.

The characteristic design of S.T. Dupont lighters is based on the subtle combination of a parallelepipedic body and lid, and a cylindrical-shaped driver.

Made entirely from a single block of metal from the body to the reservoir, S.T. Dupont lighters are very resistant, and able to withstand the tests of time.



REFILLING YOUR LIGHTER

Only use S.T. Dupont gas to refill your lighter.

SOFT OR YELLOW FLAME

For the lighters using the yellow and green refills.

1. Position your lighter vertically, pointing downwards.
2. Loosen the screw **A**.
3. Empty the gas tank by pressing the valve head (using a ball-point pen).
4. Screw the refill very tightly, with the head pointing towards the bottom of the refill valve. Press on the refill, without forcing it, for 5 seconds to make sure your lighter is correctly filled.

Repeat the process twice.

Quickly unscrew the refill once this process has been completed. It is best to wait 5 minutes - the time required for the gas to return to room temperature - before operating the lighter.

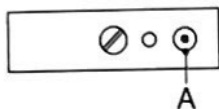
Perform this process away from heat, hot surfaces, sparks, naked flames and any other source of inflammation.

These refills can be used to fill the lighter several times.

NB: For the lighters using the blue and red refills.

Empty the reservoir and place the refill directly into refill valve **A**, pushing it to the bottom without forcing it; hold for five seconds and repeat.

This refill can be used to fill the gas tank several times.



TORCH FLAME OR BLUE FLAME

For lighters using black refills:

1. Hold your lighter vertically so that it is pointing downwards.
2. Directly insert the tip of the S.T. Dupont refill squarely in the filling valve and push it in all the way without using undue force; hold for a few seconds.
3. It is best to wait 5 minutes - the time required for the gas to return to room temperature - before operating the lighter.
4. **NB:** The use of other refills or other filling systems may be dangerous and damage the lighter.



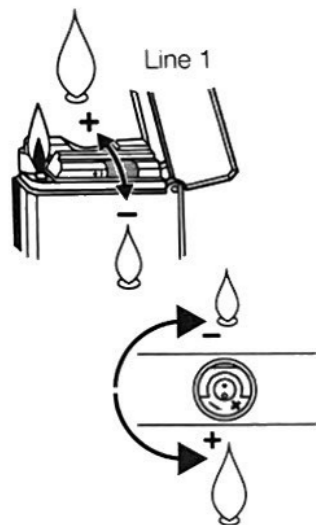
ADJUSTING THE FLAME

The flame adjustment button is found on the base of the lighter. (Note that on the Line 1, the serrated wheel on the side of the lighter adjusts the height of the flame).

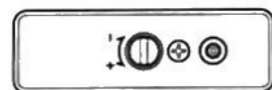
To increase the height of the flame, the button should be turned towards the + sign. To reduce the flame, the button should be turned in the opposite direction.

Remember that the higher the flame, the faster the gas is used. The gas will escape as long as the lid is left open (except for torch flame lighters).

Caution: The soft flame lighters does not go out automatically - to extinguish it, close the lid.



Line 8



Line 2 Torch



Initial



Le grand S.T. Dupont

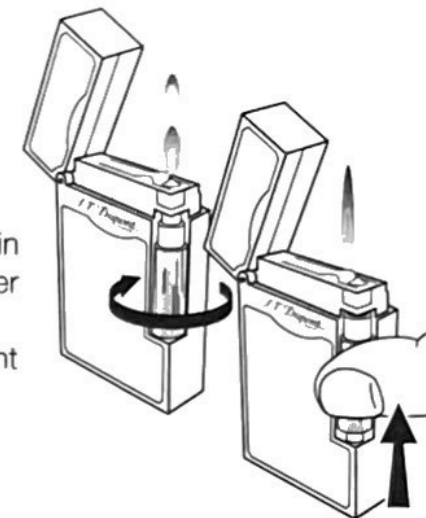
TO LIGHT YOUR LIGHTER

Light your lighter by rotating the roller.

Le grand S.T. Dupont

Light your lighter with the roller. The lighter is automatically in yellow flame position. To obtain the torch flame, Slide the roller up and hold the pressure.

When you release the pressure, the lighter will automatically light back to yellow flame.



CHANGING THE FLINT (soft and yellow flame lighters only).

Your lighter contains one flint that is in use and a spare flint.

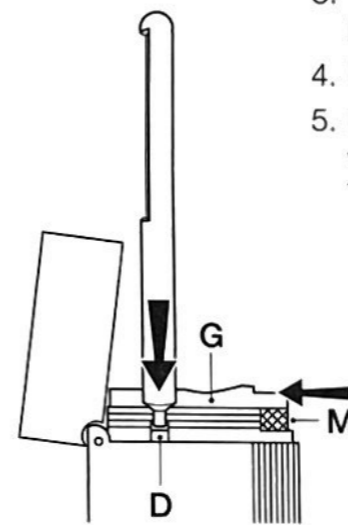
1. To change the flint in your lighter: Push the pin **D** down with your fingernail; the slide will then move backwards.
2. Remove the slide **G** from your lighter (except for Line 1 lighters) by gently pushing it backwards.

3. Take the spare flint out of its stowage **A** by turning the lighter over, keeping your finger on the flintwheel **M**.

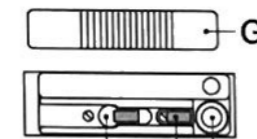
4. Place the flint **P** in the channel against the flintwheel.

5. Replace the slide **G** in the channel, pushing it forward to the end with your index finger.

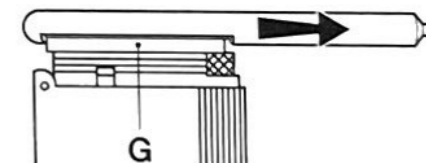
The pin **D** should now go back to its uppermost position.



Side view



A P M



Top view

WARNING

- KEEP YOUR LIGHTER OUT OF THE REACH OF CHILDREN.
- Your lighter contains pressurised inflammable liquid. Use with caution.
- After filling, the lighter will contain inflammable gas.
- Never expose to temperatures exceeding 50°C and sunlight over a long period of time.
- Do not fill it near a naked flame. Hold away from your face and clothing when lighting, adjusting or filling it.
- Never pierce lighters or refills or throw them into a fire.
- Do not adjust the lighter except by using the mechanisms designed for this purpose.
- For any additional adjustments to the flame, consult an S.T. Dupont retailer.
- Only use S.T. Dupont refills.
- The flame does not go out automatically. Close the lid to put out the flame.

Torch or blue flame lighter

Igniting the flame:

- The heat produced above the visible flame is very intense. Great care should be taken when using the lighter to avoid possible burns or fire.
- Do not keep alight more than 10 seconds.
- To avoid possible accidents, it is important to note the following: always ensure that the flame is extinguished after using the lighter.

LOOKING AFTER YOUR S.T. DUPONT LIGHTER

To keep your S.T. Dupont lighter looking like new, polish it with a soft cloth (never use solvent-based products). Use a special silver-cleaning cloth for all the silver-plated areas.

Clean any areas in natural lacquer as you would spectacles lenses or jewellery by breathing on it and buffing it with a soft cloth. Lacquer is virtually impervious to attack even from acid and water. It is exceptionally hard-wearing and highly resistant to knocks, scuffs and scratches.

GUARANTEE *

Your S.T. Dupont product is fully guaranteed for two years from its date of purchase, subject to normal use and adherence to instructions provided by S.T. Dupont. Liability for revision is accepted by S.T. Dupont (parts and labour) during this period, provided:

- it has not suffered accidental damage, such as a knock or immersion in water, etc., inappropriate use, or insufficient care (dirt, etc.),
- it has not been dismantled in any way whatsoever except for changing the flint or filling with gas, following the instructions provided,
- it has not been altered in any way whatsoever compared to the original product,
- it has not been serviced by third parties who are not certified by S.T. Dupont or its representatives.

This guarantee does not affect your statutory rights covered by legal guarantees concerning flaws or hidden defects currently in force.

Should a repair be necessary, please contact the Service Centre in your country directly (see list).

Enclose your guarantee card which includes the date of purchase and indicate your name and address. If a charge is made, request an S.T. Dupont invoice.

N.B.: S.T. Dupont will not be held responsible for any repair, damage or loss, when alterations or additions for aesthetic or any other reasons have been carried out by a third party.

* See guarantee card attached.

WARRANTY

Two-year limited warranty (United States only)

If within two years from the date of original purchase, this S.T. Dupont product fails to function because of defects in materials or workmanship, S.T. Dupont will, at its option, either repair or replace the unit provided the original purchaser:

- Returns the product postage paid to Lotus International 30 Coronado Rd 2nd Fl, Warwick RI 02886, Phone: 800979-8222.
- Submits proof of date of the original purchase.

This warranty does not cover finishes nor does it cover damage resulting from accident, misuse, abuse, dirt, immersion, tampering, or servicing performed or attempted by unauthorized service agencies. This warranty applies and is enforceable only to the original purchaser from an authorized S.T. Dupont Retailer.

All implied warranties including any implied warranty of merchantability or fitness for any particular purpose are limited in duration to two years from date of original purchase in no event will S.T. Dupont be responsible for consequential damages resulting from the use of this product.

Some states do not allow the exclusion or limitation of incidental or consequential damages, so the above limitation may not apply to you. This warranty gives you specific legal rights, and you may have other legal rights which vary from state to state.